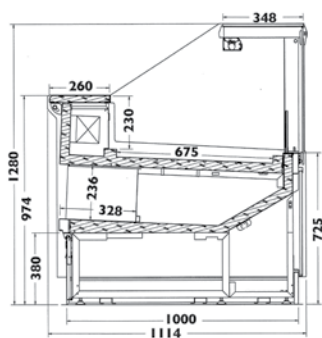


ARCTIC ICE DISPLAY CABINET

**'RENT
TO OWN'**
& OTHER FINANCE
SOLUTIONS AVAILABLE
CALL NOW FOR YOUR
PACKAGE DEAL

FEATURES

- Cold plate style,
- Static twin-coil refrigeration
- Deck takes loose ice directly on display
- Tundish (drain) required
- Mobile



**Perforated
panels to
allow display
to drain.**



Model number	1280mm H x 1114mm D x Lengths
M5601	1350mm
M5603	1975mm
M5604	2575mm