

Model:

Arctic Classic Range

M5320B

1300 278 472

sales@artisangroup.au

Square Glass Meat/Deli Display 1955mm Wide



Model:

Arctic Classic Range

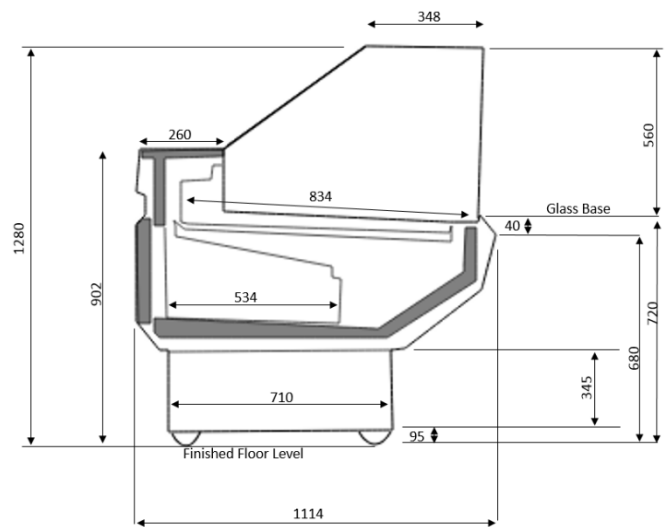
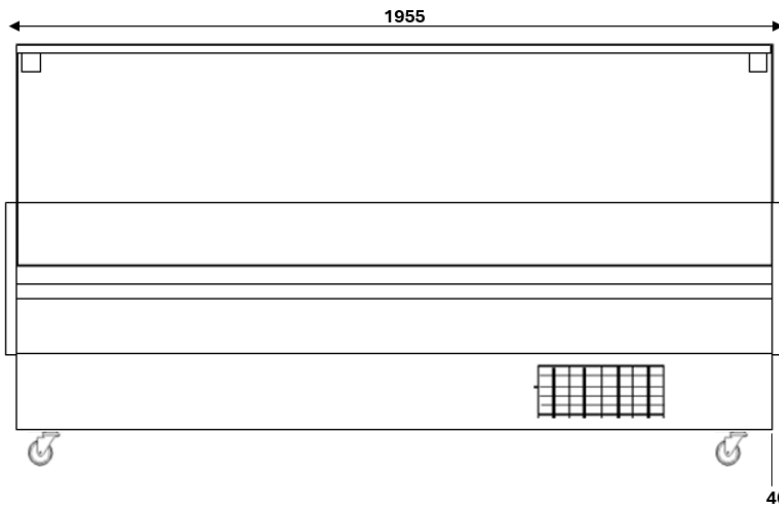
M5320B

Square Glass Meat/Deli Display 1955mm Wide

1300 278 472

sales@artisangroup.au

artisanTM
Excellence in Commercial Refrigeration



SPECIFICATIONS

Overall Size: 1955mm W x 1280mm H x 1114mm D

Finish: Black

Power: 10 Amp / 240 Volt

Internal Display Depth: 834mm (2 Standard Trays)

Internal Display Width: 1880mm

Ambience: 27 Degrees with 60% R.H

Castors: 4 (2 Locking)

Refrigerated Storage Doors: 2

Temp: 0°C to 2°C

Weight: 190kg

Refrigerant: R452A

Compressor: Embarco

Controller: Dixell

Features: -

- Square Glass Profile
- Ventilated & Cold Base
- Pink LED Lighting
- Rear Acrylic Sliding Doors
- Work Bench
- Refrigerated Storage Underneath

Options:

- Smaller & Larger Sizes
- Grey Colour Option
- White LED Lightning
- External Corner Design
- Combination's Join together different sizes
- Wet Dry Bain Marie
- Scales Pad
- Product Divider
- Bag Holder

E & OE, All Details Subject to change without notice.

artisanfoodequipment.com.au