

Model:

Arctic Plus Range

M5714B

**Curved Glass Meat/Deli Display
1330mm Wide**

artisan™
Excellence in Commercial Refrigeration

1300 278 472

sales@artisangroup.au



Model:

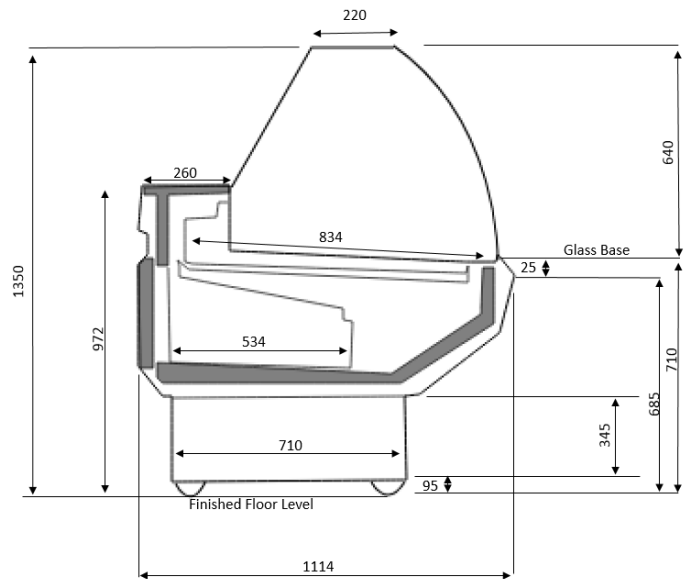
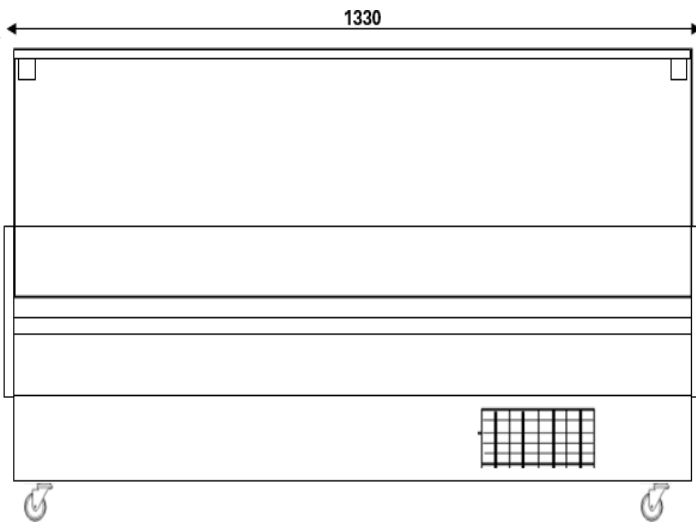
Arctic Plus Range

M5714B

☎ 1300 278 472

✉ sales@artisangroup.au

Curved Glass Meat/Deli Display
1330mm Wide



SPECIFICATIONS

Overall Size: 1330mm W x 1350mm H x 1114mm D

Finish: Black

Power: 10 Amp / 240 Volt

Internal Display Depth: 830mm (2 Standard Trays)

Internal Display Width: 1255mm

Ambience: 27 Degrees with 60% R.H

Castors: 4 (2 Locking)

Refrigerated Storage Doors: 2

Temp: 0°C to 2°C

Weight: 120kg

Refrigerant: R452A

Compressor: Embarco

Controller: Dixell

Features: -

- Curved Glass Profile
- Ventilated & Cold Base
- Pink LED Lighting
- Rear Acrylic Sliding Doors
- Work Bench
- Refrigerated Storage Underneath

Options:

- Larger Sizes
- Square Glass Profile
- Black Colour Option
- White LED Lightning
- External Corner Design
- Combination's Join together different sizes
- Wet Dry Bain Marie
- Scales Pad
- Product Divider
- Bag Holder

E & OE, All Details Subject to change without notice.