

Model:

Arctic Vogue Range

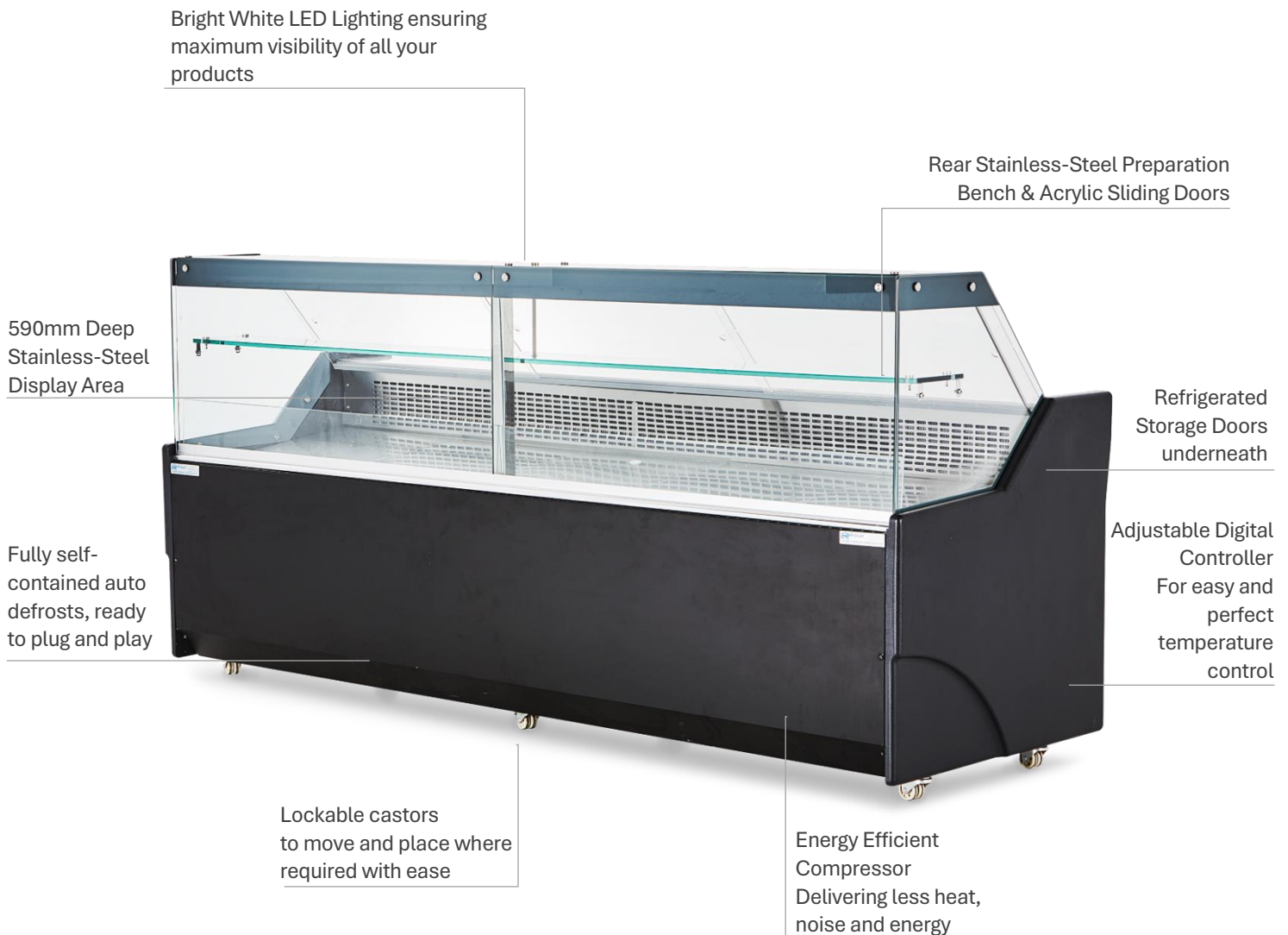
M5425S

Square Glass Display Cabinet 2590mm Wide – With Dry Shelf

artisan™
Excellence in Commercial Refrigeration

📞 1300 278 472

✉️ sales@artisangroup.au



Model:

Arctic Vogue Range

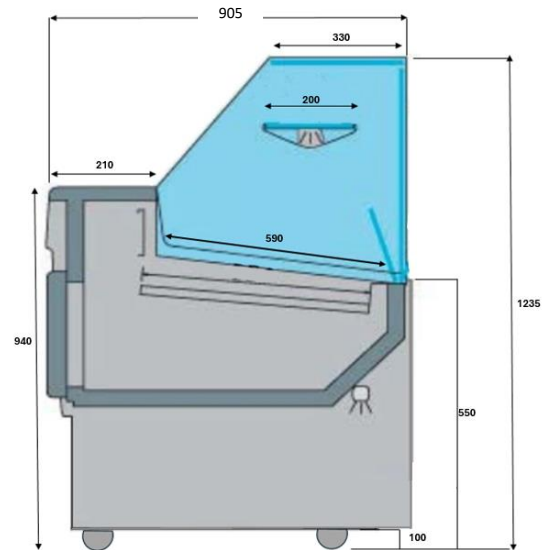
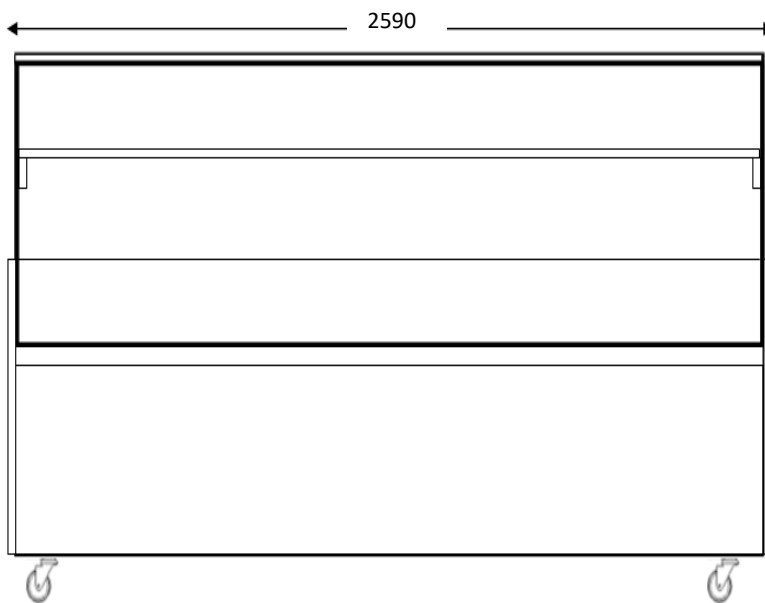
M5425S

artisanTM
Excellence in Commercial Refrigeration

☎ 1300 278 472

✉ sales@artisangroup.au

Square Glass Display Cabinet 2590mm Wide – With Dry Shelf



SPECIFICATIONS

Overall Size: 2590mm W x 1230mm H x 905mm D

Finish: Black

Power: 10 Amp / 240 Volt

Internal Display Depth: 590mm

Internal Display Width: 2500mm

Ambience: 27 Degrees with 60% R.H

Castors: 4 (2 Locking)

Refrigerated Storage Doors: 2

Temp: 0°C to 2°C

Refrigerant: R290

Controller: Digital / Carrel

Features: -

- Square Glass Profile
- Ventilated & Cold Base
- Internal Dry Display Shelf (**200mm Depth**)
- White LED Lightning
- Rear Acrylic Sliding Doors
- Work Bench
- Refrigerated Storage Underneath

Options:

- Smaller Sizes
- Scales Pad
- Product Divider
- Bag Holder

E & OE, All Details Subject to change without notice.

artisanfoodequipment.com.au